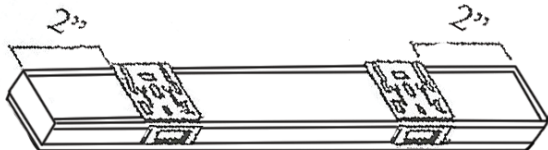


# Volari Roman Shade Pull Cord Operator

# Installation Instructions

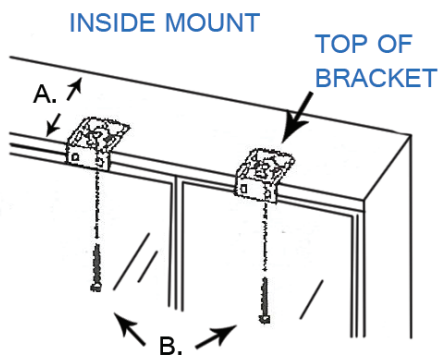
1. **Mount** the brackets to the wall or inside the window frame – the first two being 2” from each end. On wide shades, space the additional bracket (s) at equal intervals across the width.



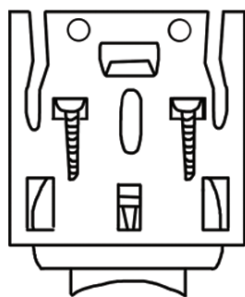
### For Inside Mount

A. To mount the valance flush with the window casing, the back of the bracket must be mounted 2 5/8” from the front of the casing.

B. Drive screws up through the hole at the top of the bracket into the top sill of the window opening.



### TOP VIEW OF BRACKET

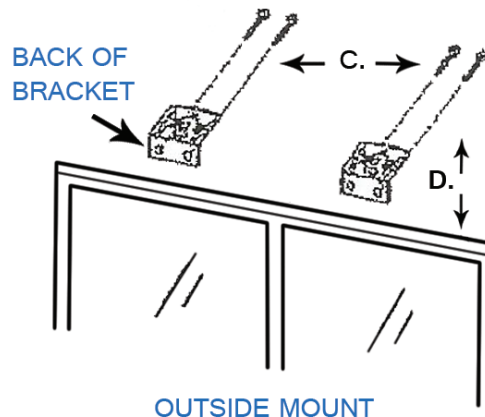


### FRONT OF BRACKET

### For Outside Mount

C. Drive screws through the back of the bracket into the wall.

D. Make sure the brackets are level and are at the correct ordered height.

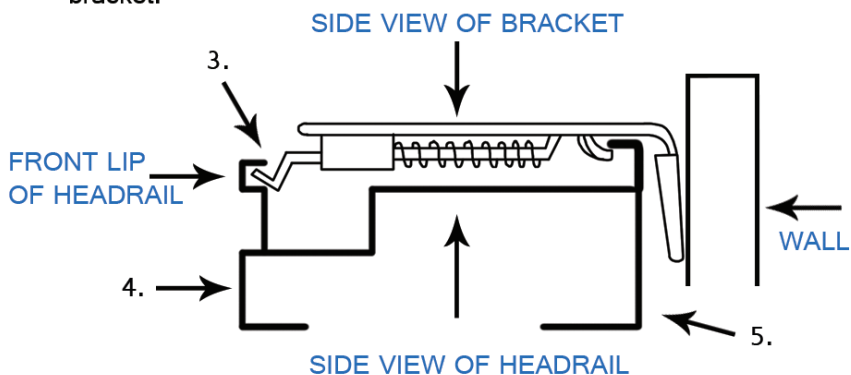


3. Hook the front of the Bracket into the front lip of the headrail.

4. Push the front of the headrail back towards the wall.

5. Rotate the back of headrail up so it snaps into place.

6. To release headrail push the front of the headrail back towards the wall. Twist the back of the headrail down when the rail clears the back lip of the bracket and pull shade forward off the front lip of the bracket.



### Safety Notice:

DDC Window Fashions Roman Shades are manufactured according to methods endorsed by the Consumer Product Safety Commission. It is recommended that you keep all cords safely away from children.

**TO AVOID POSSIBLE STRANGULATION:** Request free cleats when you place the shade order and install with the product, utilize clamp or clothes pins or tie the cord to itself.