

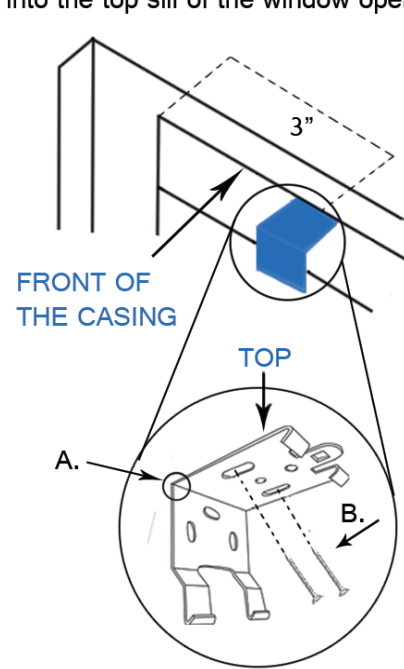
# Volari Roman Shade Bead Chain Operator

1. **Mount the brackets** to the wall or inside the window frame - the first two brackets should be 3" from each end. Use all of the brackets provided, each shade installation is different due to the size. On wide shades, space the additional bracket(s) at equal intervals across the width.

### For Inside Mount

A. To mount the valance flush with the window casing, the back of the top of the bracket must be mounted 3 1/2" from the front of the casing.

B. Drive screws up through the hole at the top of the bracket into the top sill of the window opening.



INSIDE MOUNT

OUTSIDE MOUNT

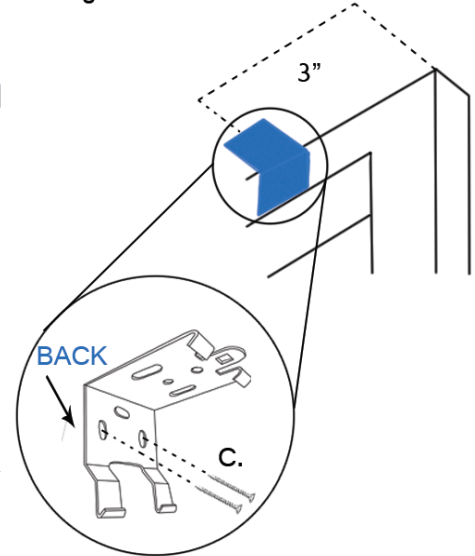
The back side of the bracket gets mounted to the outside of the window casing.

The top of the bracket gets mounted to the inside of the window casing.

### For Outside Mount

C. Drive screws through the back of the bracket into the wall.

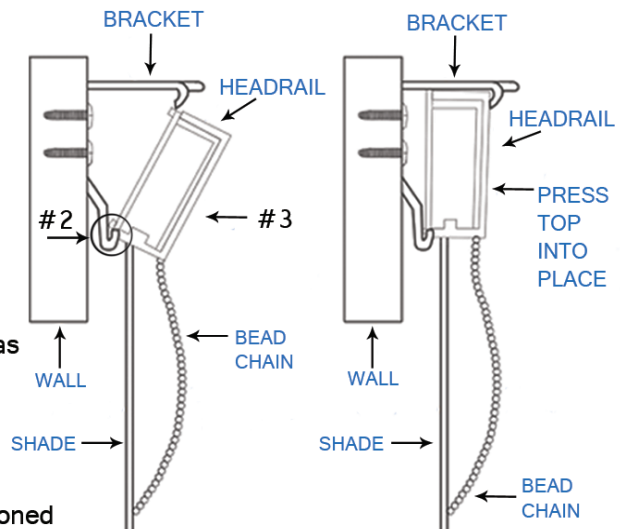
D. Make sure the brackets are level and are at the correct ordered height.



2. Hook the back of the headrail onto the bottom of all brackets.

3. Rotate the shade back and snap into place. Shade is not secure, unless all brackets SNAP.

4. Install the Chain Loop Guide: The chain Loop Guide is provided as an added security device for operation. Please install the chain loop guide according to the directions include with the shade. (Mandated by the WCMA)



**ATTENTION:** It is imperative that the chain loop be tethered / tensioned in a straight vertical manner. The chain loop must also be loose, with NO tension to operate properly.

5. Operate the shade similar to a 'pulley system' – by pulling down on one side of the chain – one side of the chain raises the shade and the other side lowers it. Do not lift the bottom rail with your hands. Also be careful not to place objects on the window sill that will interfere with operating the shade or cause on the window sill that will interfere with operating the shade or cause it to hand unevenly.

6. To remove the shade: Insert a screwdriver between the headrail and bracket and into the slot of the release tab which extends out slightly from each bracket. Gently twist the screw driver to release the bracket from the headrail.